



## RC-Q05 Snap-on vent valve

### RC-Q05 Snap-on vent valve

Model: RC-Q05

Breathable capacity: 1700ml / min / cm<sup>2</sup> (pressure -70mbar)

Material: body cap made of ABS plastic, O-ring for aging silicone material.

Color: The body cap is black and the breathable film is white

Product features: dust, hydrophobic, breathable, to meet ROHS requirements

Protection class: IP68

Temperature resistance: -40 °C to 125 °C

Hole size:  $\Phi 6.2 \pm 0.1$

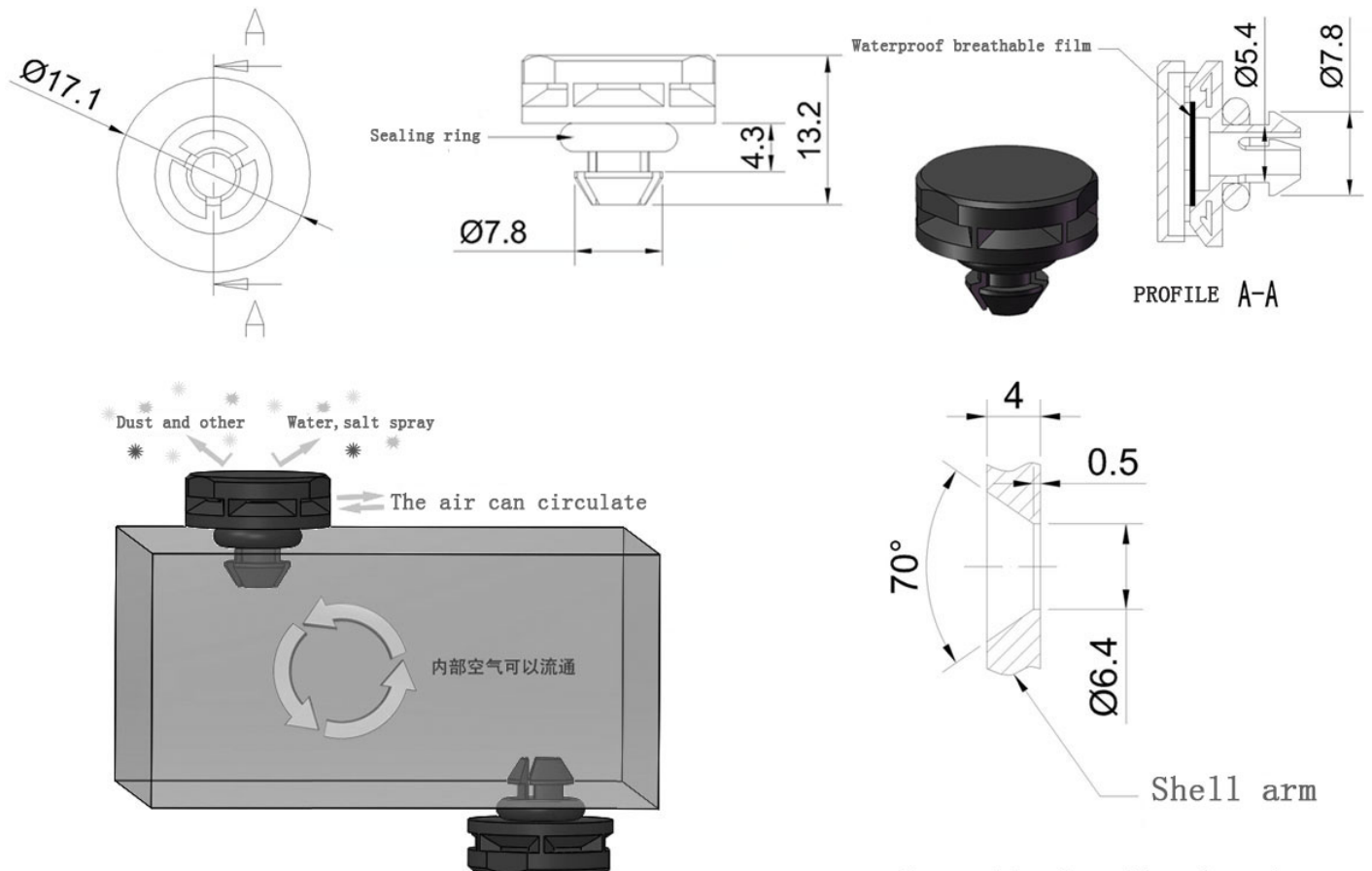
Installation: Install the hole as far as possible to prevent dust from accumulating to ensure that the installation surface is clean, free of grease, particles and other contaminants. If necessary, clean the mounting surface with isopropyl alcohol and ensure that the surface is dry before installation.

Main applications: automotive ECU, outdoor lighting



Car waterproof breathing valve snap-type ventilation valve decompression valve

## Specification



Install the fit drawing

### Product Show

---

