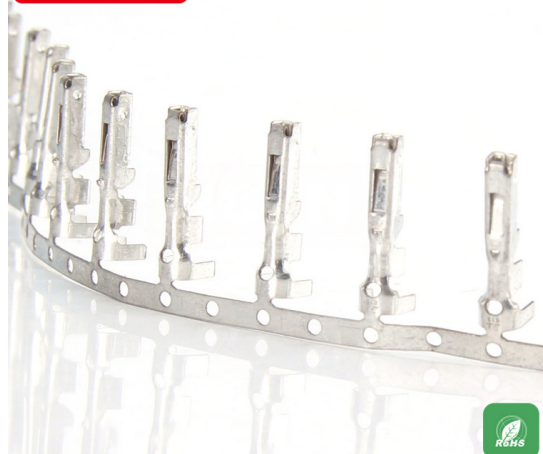




Wiring harness special terminal 282110-1

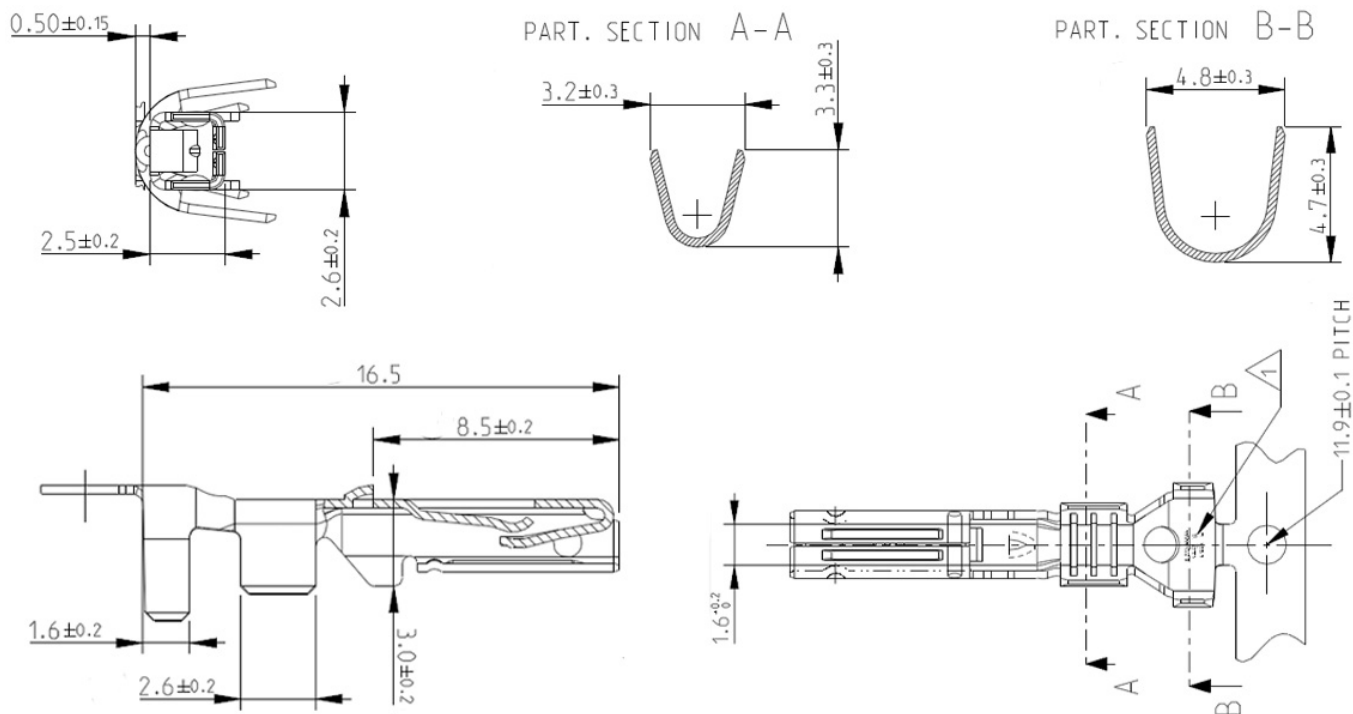
Wiring harness special terminal 282110-1

- Material: copper tin
- Sealing type: single wire seal
- Crimp type: F type crimping
- Socket Type: 180 °
- Typical rated current: 14A
- Docking male end width: 1.5 mm
- Butt joint thickness: 0.8 mm
- Insulated diameter of wire: 1.7 - 3.3 mm
- Temperature range: -40 - 125 ° C
- Terminal conduction: 0 - 24 A (low power)
- Packing: 4000PCS / roll
- Uses: Terminals for cars, trucks, buses and off-highway vehicles



Winding Terminals Harness Terminals Terminal Blocks Crimp Terminals

Specification



Product Show

